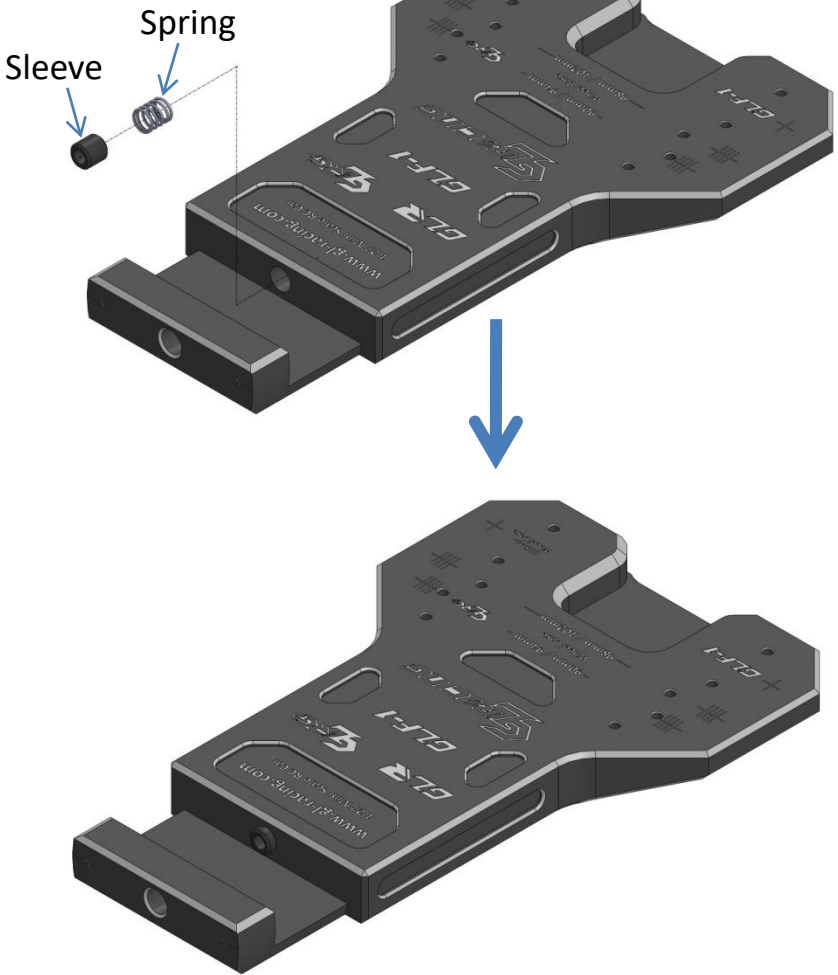


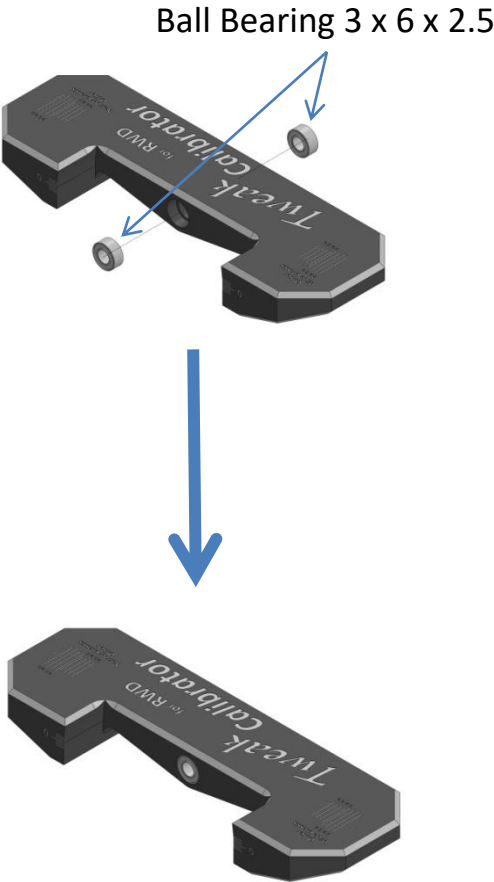
# Instruction for GL Tweak Calibrator

Date: July 2021

## Step 1

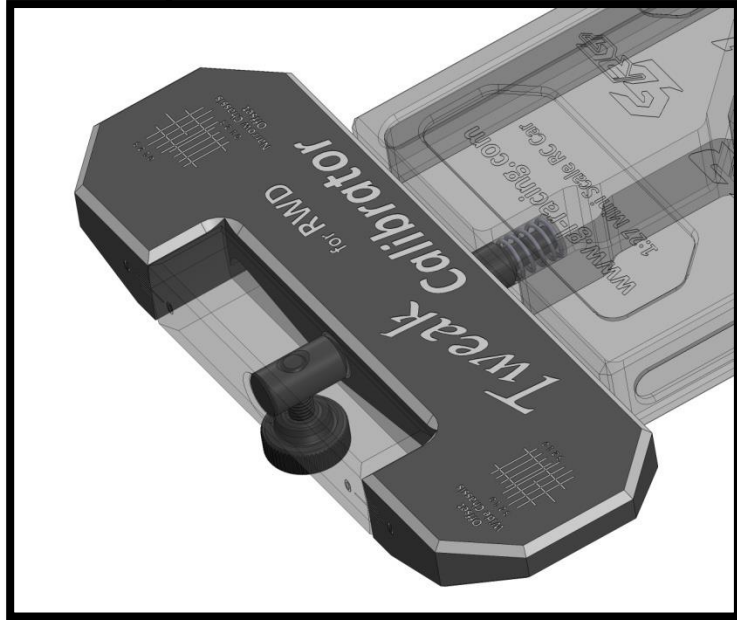
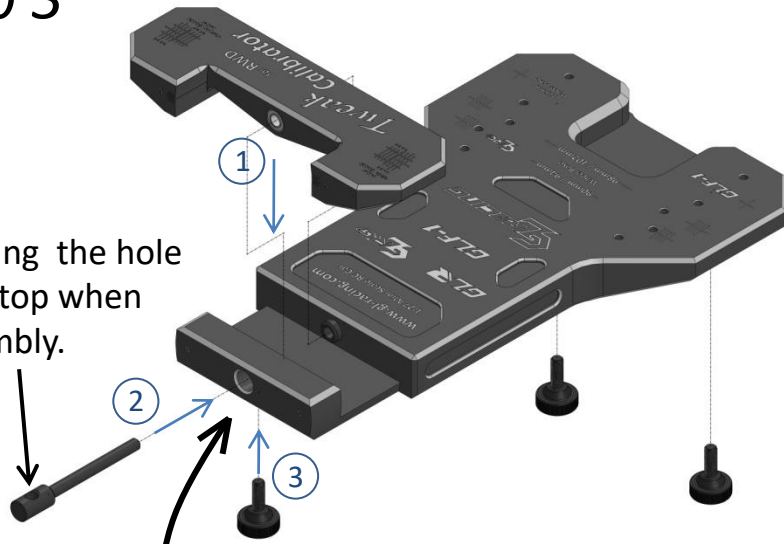


## Step 2



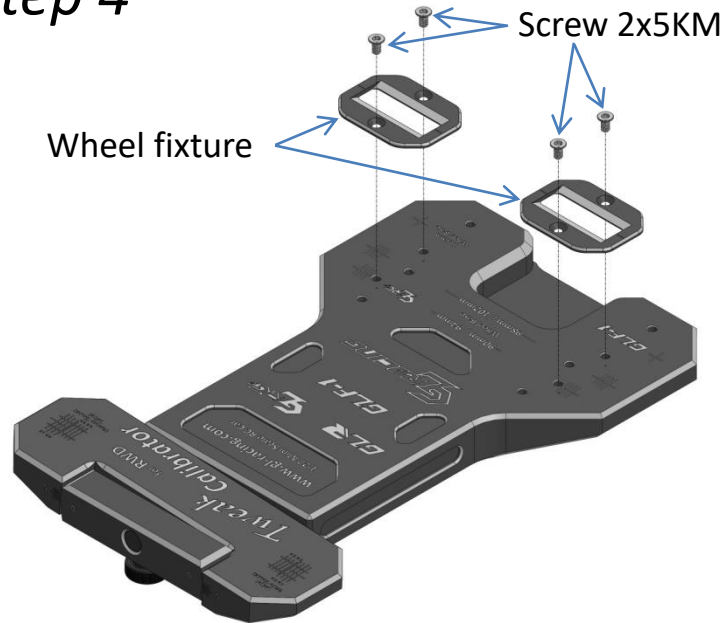
# Step 3

Keeping the hole face top when assembly.

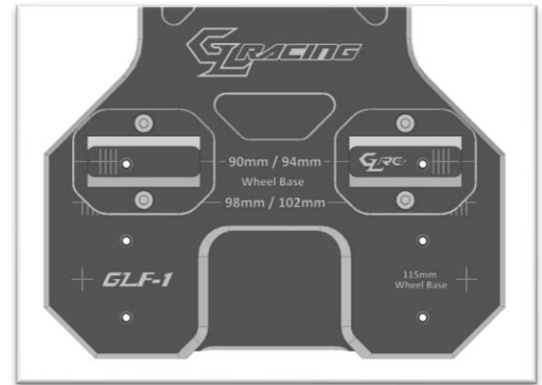


After assembly, check the tweak platform moving freely.

# Step 4



Wheelbase  
90-94mm



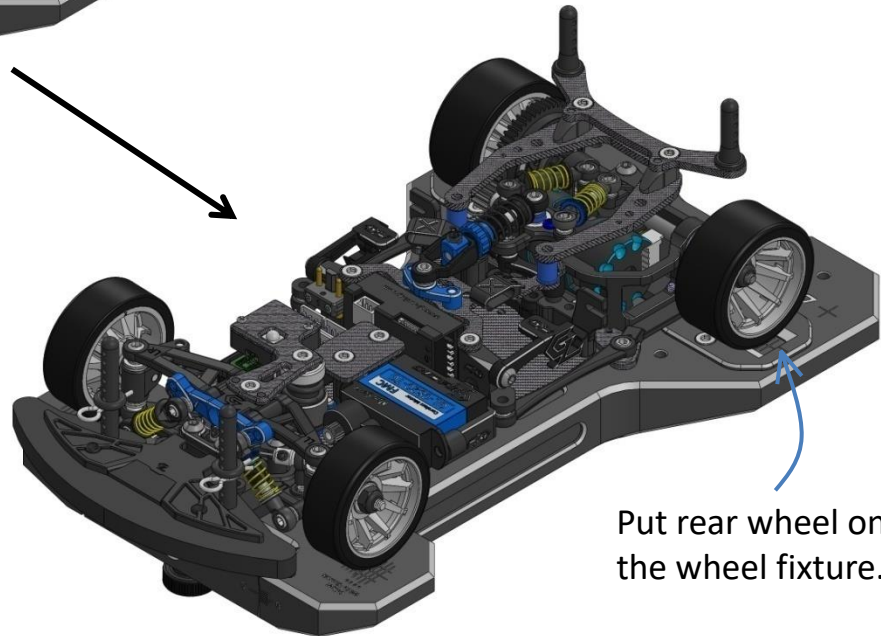
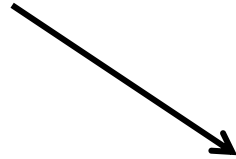
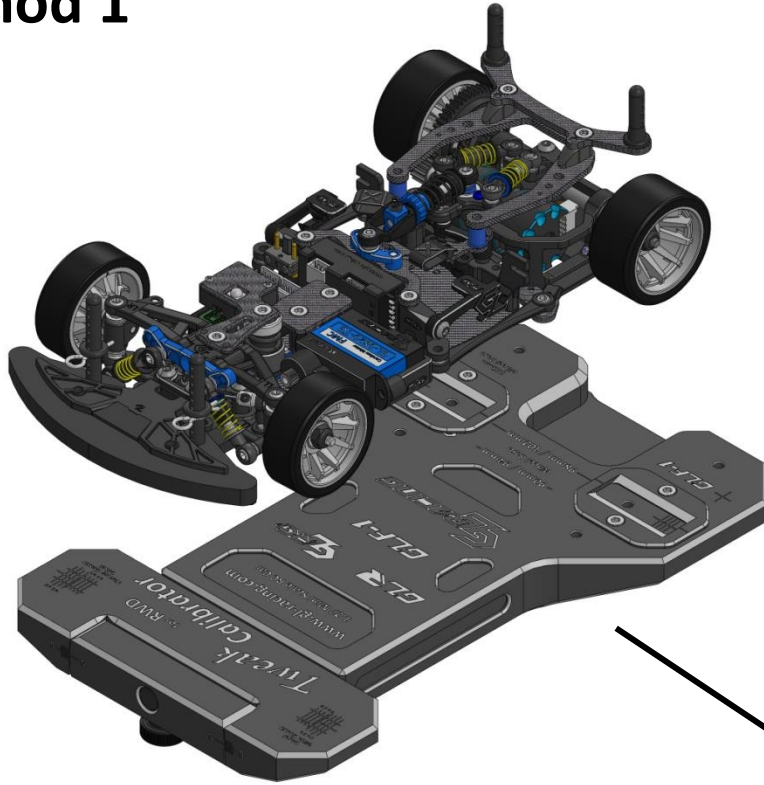
Wheelbase  
98-102mm



Wheelbase  
115mm  
(GLF1)

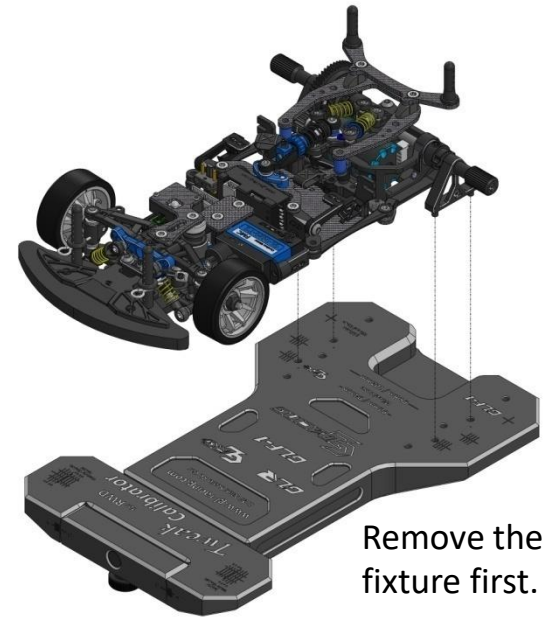
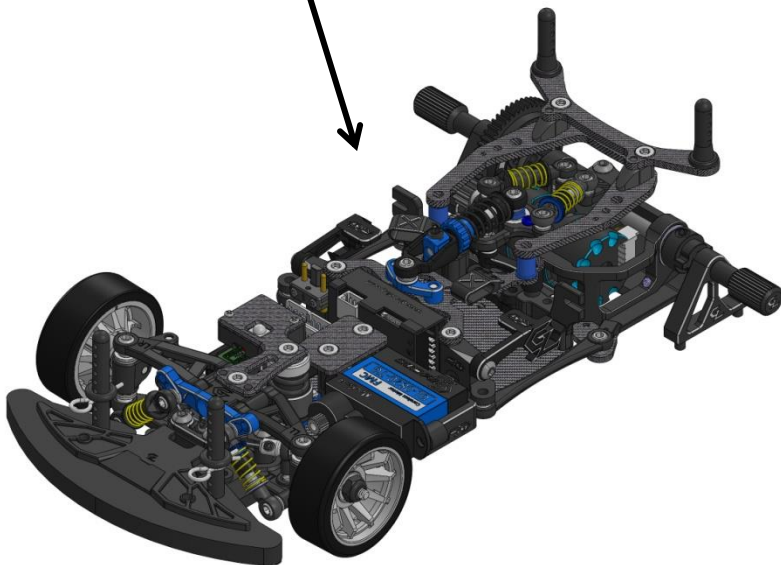


# Method 1



Put rear wheel on the wheel fixture.

## Method 2



Remove the wheel fixture first.



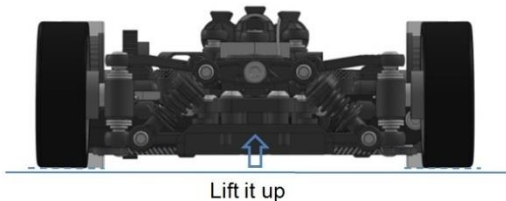


Try to align marking with zero based on the below procedure 6.2.

## Calibrating procedure

Check the chassis left / right balance. Install wheels in same diameter and place on flat floor. Lift the front up to see left and right wheels apart from the floor, you will see 2 situation below.

6.1 Both side of the wheels are apart the floor at the same time. In this case, congratulations!!! This is the main target that we need to get it. Otherwise, follow the instruction on 6.2.



6.2 One of the wheel apart the floor first. For example, if the **left** wheel apart first, adjust the **right** side damper (above the motor) in adding the shim (SM6) until both wheels apart the floor like 6.1. If the right wheel rise up first, do the same on other side.

